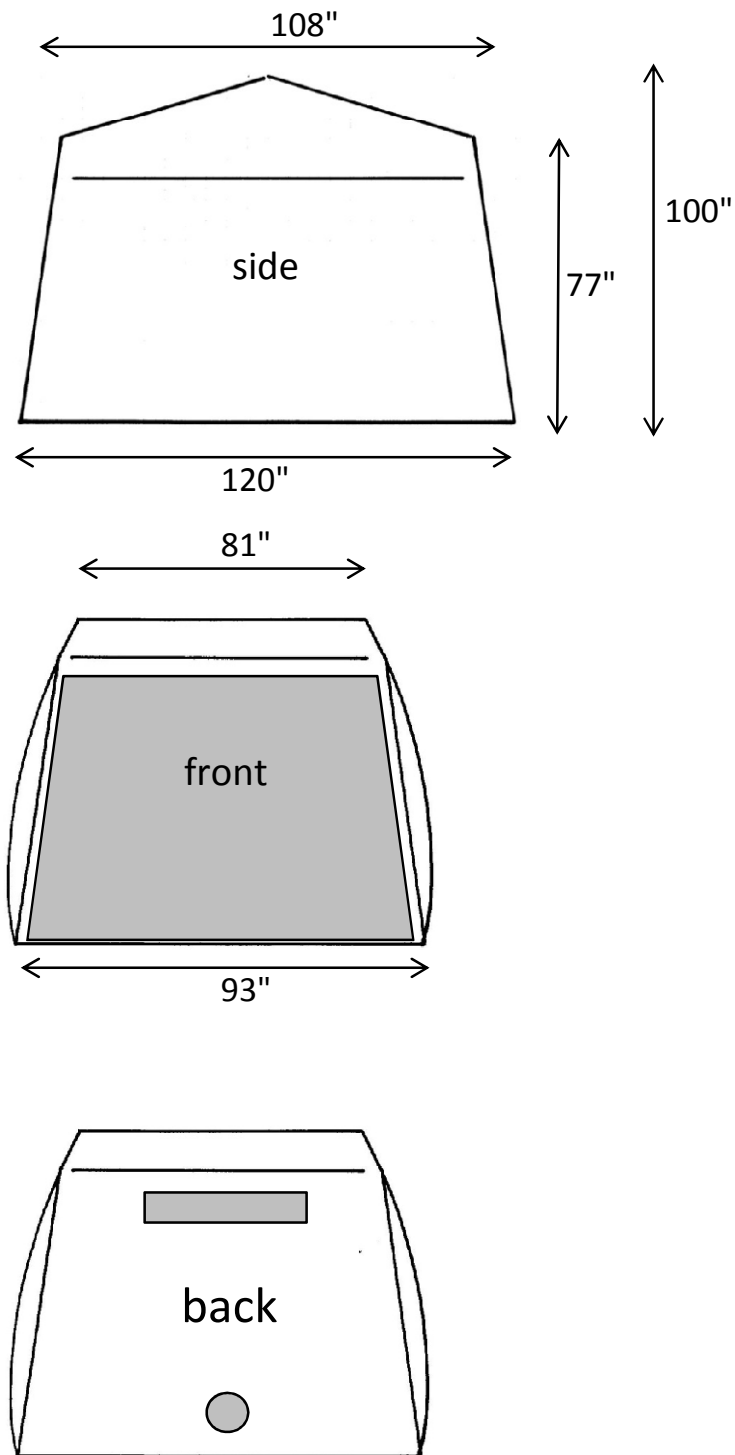


# POPnWORK GS10812 spec sheet



## GS10812 DISCRIPTION

ONE DOOR TENT WITH A FULL WIDTH ZIPPER ROLLUP DOOR ON THE FRONT AND A 9" X 36" VENT WINDOW AND A 10" BLOWER PORT IN THE BACK. 10' X 8' FOOTPRINT.

## FRAME

COLD ROLLED STEEL HINGES  
18 GAUGE GALVANIZED TUBING FOR THE ROOF AND GROUND STRUTS

FIBERGLASS ROD TENSION FRAME  
70% GLASS CONTENT

## COVER

URETHANE COATED POLYESTER FABRIC  
FLAME RETARDANT - CPAI-84  
ANSI SAFETY GREEN SIDEWALLS  
UV TREATED  
WATER REPELLENT COATING  
300 DENIER POLYESTER SIDEWALLS  
250 DENIER DOORS, BACK AND ROOF

## ADDITIONAL FEATURES

14' WINDLINES ON EACH CORNER OF THE ROOF  
12" GROUND FLAPS ON THE SIDES

# cTs

CREATIVE TENT SOLUTIONS INC



PO BOX 904 1505 RACINE ST DELAVAN, WI 53115

P 262 728 2686

F 262 728 2686

[ctstents@sbcglobal.net](mailto:ctstents@sbcglobal.net)