

CREATIVE TENT SOLUTIONS

Industrial Pop-Up Tents & Umbrellas for Weather Protection

POP'N'WORK - STN1

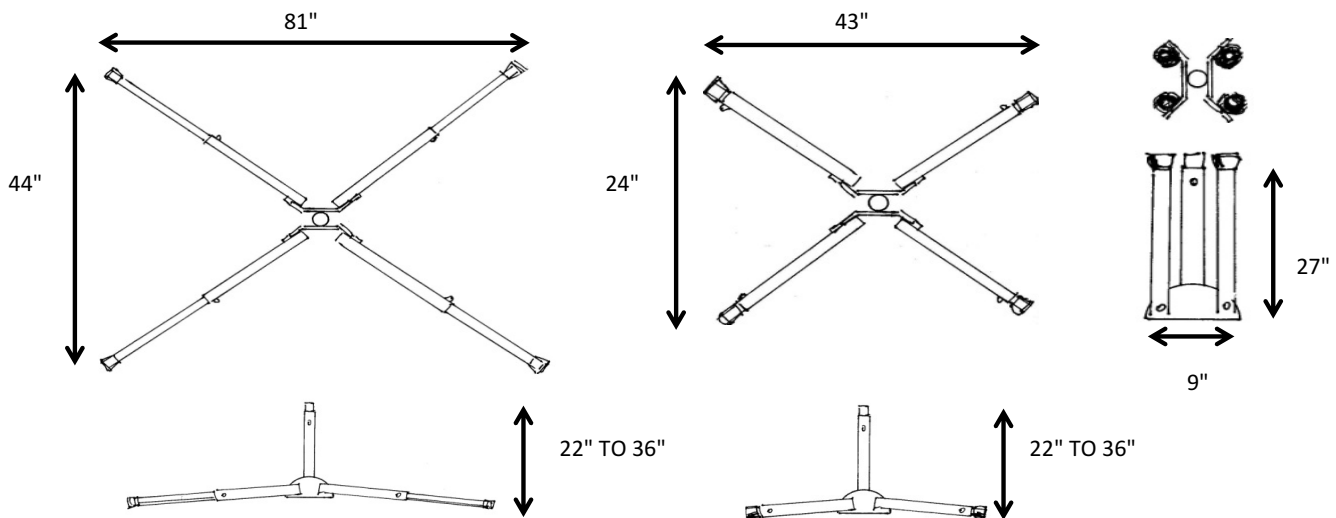
POP'N'WORK HEAVY DUTY UMBRELLA STAND WITH ADJUSTABLE HEIGHT FOR WORKING LOW OR WORKING STANDING UP.



FEATURES

- ◆ EASY INSTALLATION: UNSTRAP THE STAND, ADJUST LENGTH OF LEG. LIFT LEG UPWARDS AND THEN LOWER IT. REPEAT ON THE OTHER THREE LEGS.
- ◆ ADJUSTABLE HEIGHT FROM 26" TO 43"
- ◆ WEIGHT: 26LBS
- ◆ DIMENSIONS: 29" X 11" X 11"

SPECIFICATIONS - 84" x 44" FOOTPRINT



FRAME

- ◆ CORROSION RESISTANT GALVANIZED STEEL
- ◆ HEAVY DUTY RUBBER FOOT ON EACH LEG
- ◆ STORAGE STRAP TO SECURE THE LEGS IN UPRIGHT POSITION

TELESCOPING LEGS

- ◆ TWO POSITION TELESCOPING LEGS
- ◆ OPEN BASE OF 24" X 43"
- ◆ EXPANDED BASE OF 81" X 44"