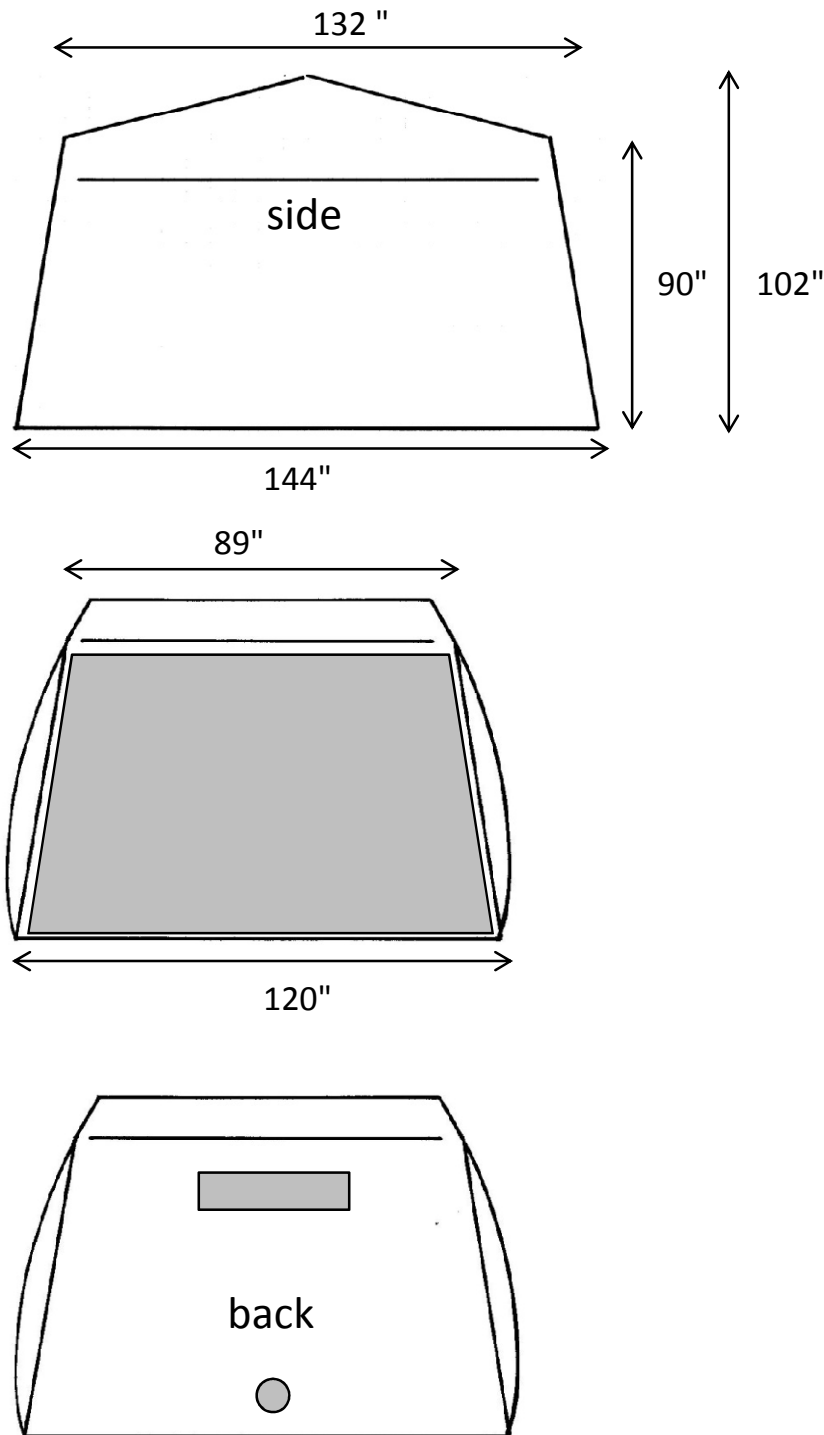


# POPnWORK FX121012 specs



## FX121012 DISCRIPTION

ONE DOOR TENT WITH A FULL WIDTH ZIPPER ROLLUP DOOR ON THE FRONT, A 9" X 36" VENT WINDOW AND A 10" BLOWER PORT IN THE BACK WALL. 12' X 10' FOOTPRINT

## FRAME

COLD ROLLED STEEL HINGES  
18 GAUGE GALVANIZED TUBING FOR THE ROOF STRUTS  
X-FRAME ON THE BACK WALL

FIBERGLASS ROD TENSION FRAME  
70% GLASS CONTENT

## COVER

URETHANE COATED POLYESTER FABRIC  
FLAME RETARDANT - CPAI-84  
ANSI SAFETY GREEN SIDEWALLS  
UV TREATED  
WATER REPELLENT COATING  
300 DENIER POLYESTER SIDEWALLS  
250 DENIER DOORS, BACK AND ROOF

## ADDITIONAL FEATURES

14' WINDLINES ON EACH CORNER OF THE ROOF  
12" GROUND FLAPS ON THE SIDES

# CTs

CREATIVE TENT SOLUTIONS INC



PO BOX 904 1505 RACINE ST DELAVAN, WI 53115

P 262 728 2686

F 262 728 2686

[ctstents@sbcglobal.net](mailto:ctstents@sbcglobal.net)