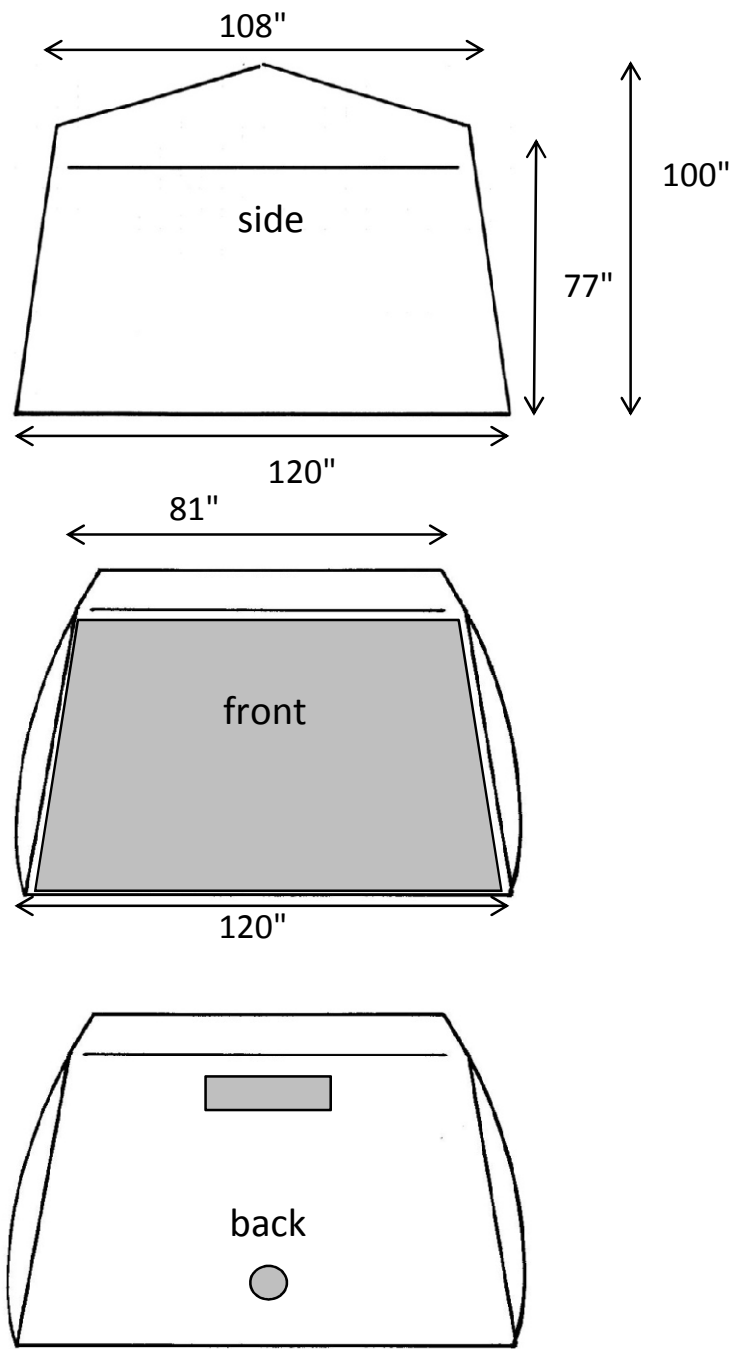


# POPnWORK FX101012 spec sheet



## FX101012 DISCRIPTION

ONE DOOR TENT WITH A FULL WIDTH ZIPPER ROLLUP DOOR ON THE FRONT. 9"X36" VENT WINDOW AND A 10" BLOWER PORT IN THE BACK. 10' X 10' FOOTPRINT.

## FRAME

COLD ROLLED STEEL HINGES  
 18 GAUGE GALVANIZED TUBING FOR THE ROOF STRUTS  
 X-FRAME ON THE BACK WALL

FIBERGLASS ROD TENSION FRAME  
 70% GLASS CONTENT

## COVER

URETHANE COATED POLYESTER FABRIC  
 FLAME RETARDANT - CPAI-84  
 ANSI SAFETY GREEN SIDEWALLS  
 UV TREATED  
 WATER REPELLENT COATING  
 300 DENIER POLYESTER SIDEWALLS  
 250 DENIER DOORS, BACK AND ROOF

## ADDITIONAL FEATURES

14' WINDLINES ON EACH CORNER OF THE ROOF  
 12" GROUND FLAPS ON THE SIDES



CREATIVE TENT SOLUTIONS INC



PO BOX 904 1505 RACINE ST DELAVAN, WI 53115

P 262 728 2686 F 262 728 2686

[ctstents@sbcglobal.net](mailto:ctstents@sbcglobal.net)