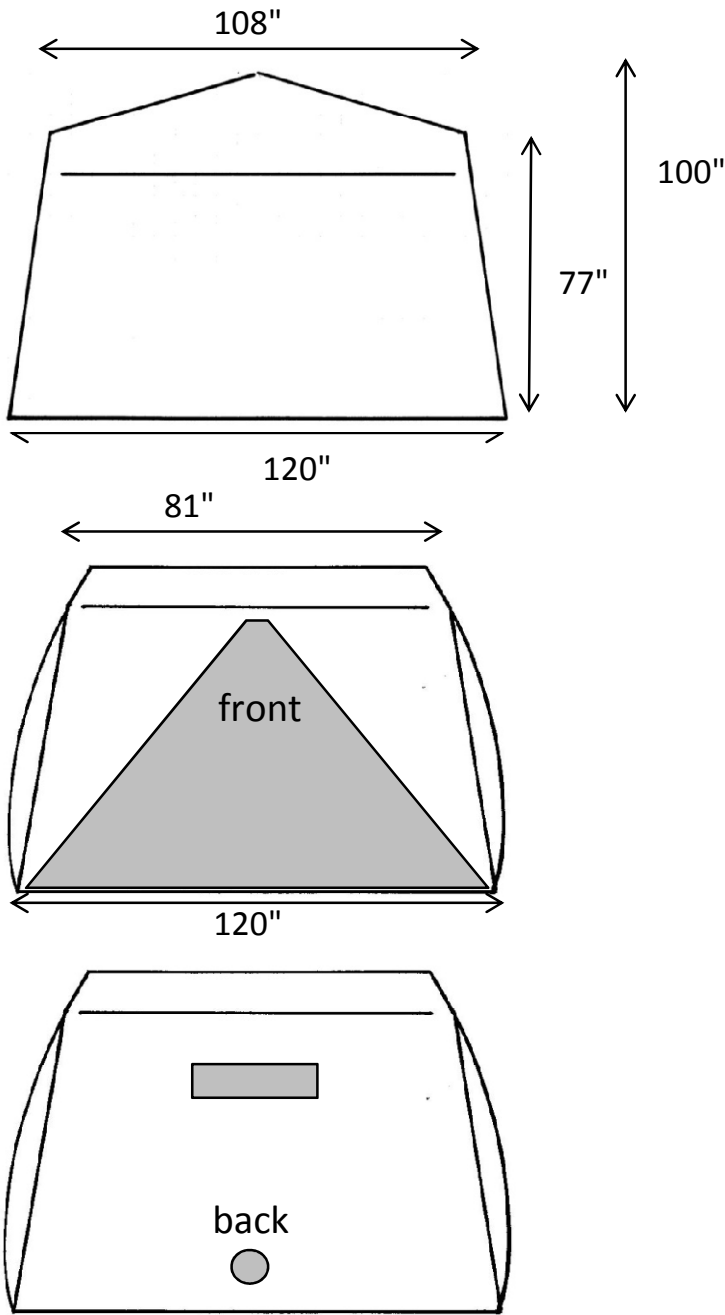


POPnWORK FX101011 spec sheet



FX101011 DISCRIPTION

ONE DOOR TENT WITH A SINGLE ZIPPER 'A' SHAPE DOOR ON THE FRONT. 9"X36" VENT WINDOW AND A 10" BLOWER PORT IN THE BACK. 10' X 10' FOOTPRINT.

FRAME

COLD ROLLED STEEL HINGES
 18 GAUGE GALVANIZED TUBING FOR THE ROOF STRUTS
 X-FRAME ON THE BACK WALL

FIBERGLASS ROD TENSION FRAME
 70% GLASS CONTENT

COVER

URETHANE COATED POLYESTER FABRIC
 FLAME RETARDANT - CPAI-84
 ANSI SAFETY GREEN SIDEWALLS
 UV TREATED
 WATER REPELLENT COATING
 300 DENIER POLYESTER SIDEWALLS
 250 DENIER DOORS, BACK AND ROOF

ADDITIONAL FEATURES

14' WINDLINES ON EACH CORNER OF THE ROOF
 12" GROUND FLAPS ON THE SIDES



CREATIVE TENT SOLUTIONS INC



PO BOX 904 1505 RACINE ST DELAVAN, WI 53115

P 262 728 2686 F 262 728 2686

ctstents@sbcglobal.net